

- Automatic and compact vacuum plants for laboratory applications
- Lubricated rotary vane vacuum pumps
- Pumps protection with cryogenic condenser at -60°C or at -110°C
- Possible simultaneous running by several vacuum plugs
- Low noise level
- Optimal vacuum level (3,7 to 7,5 Torr)



## Characteristics

	NOMINAL CAPACITY		POWER		NOISE LEVEL	OIL FILLING
	m <sup>3</sup> .h <sup>-1</sup>		kW			
	50 Hz	60 Hz	50 Hz	60 Hz	dB(A)	L
■ CRYOLIS 1 E40	47	56	1,10	1,30	65	1,5
■ CRYOLIS 1 E100	96	115	2,20	2,64	70	4,0
■ CRYOLIS 2 E40	2 x 47	2 x 56	2 x 1,10	2 x 1,30	68	2 x 1,5
■ CRYOLIS 2 E100	2 x 96	2 x 115	2 x 2,20	2 x 2,64	73	2 x 4,0

Drain trap capacity : 10 litres

Other capacities on request

## Plant references

		■ E40	■ E100
CRYOLIS 1	3-ph 400V+N+E	918971	918972
CRYOLIS 2	3-ph 400V+N+E	918534	918970

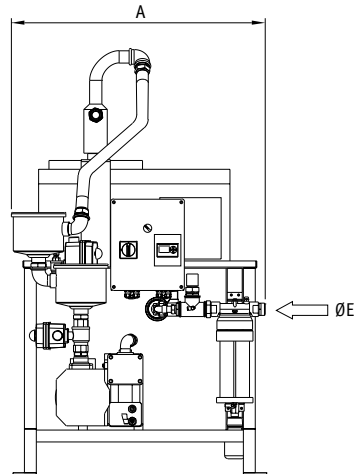


Vacuum distillation in a pharmaceutical lab

# Vacuum plants for laboratories

## Dimensions

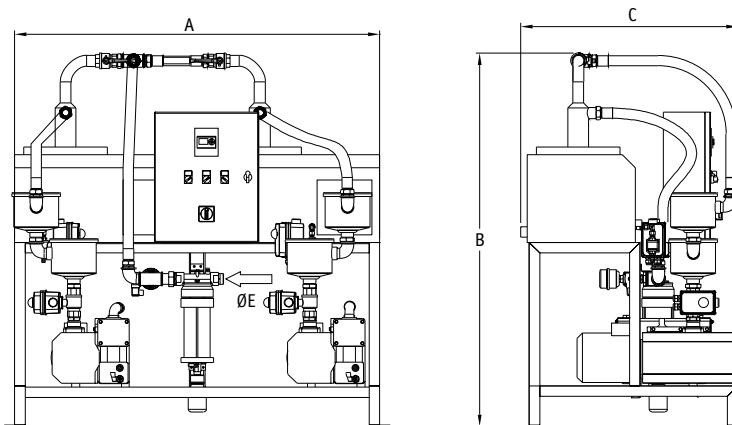
CRYOLIS 1



CRYOLIS 1		
	E40	E100
A	830	830
B	1455	1455
C	820	890
ØE	1"1/4	1"1/4

Dimensions expressed in mm

CRYOLIS 2



CRYOLIS 2		
	E40	E100
A	1410	1410
B	1455	1455
C	840	890
ØE	1"1/4	1"1/4

Dimensions expressed in mm



Cryogenic condenser